

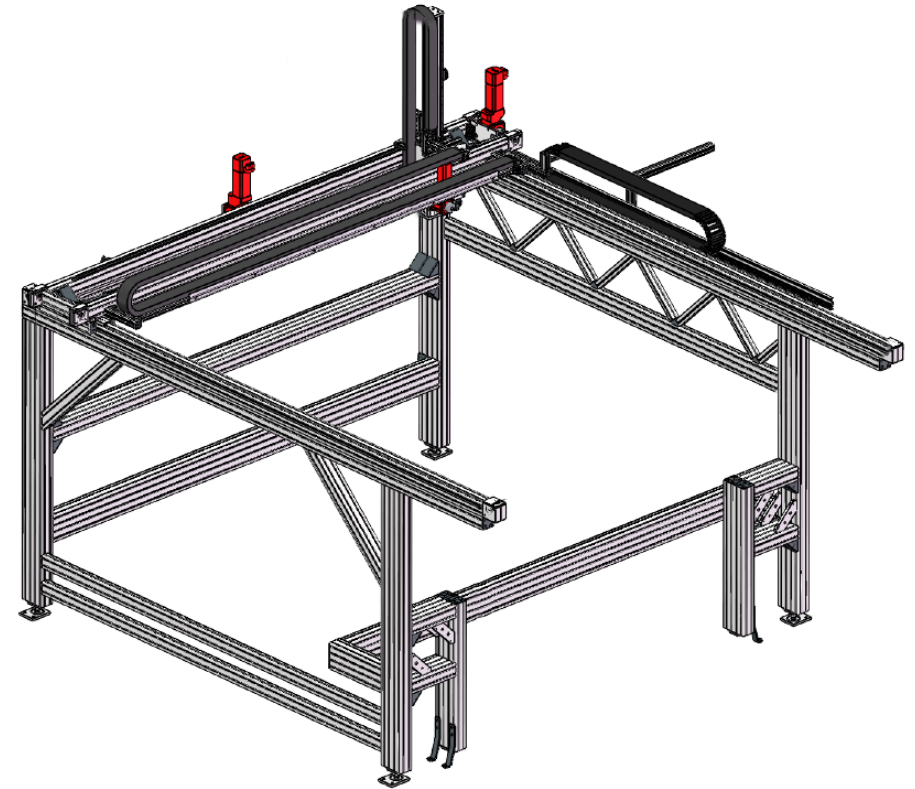
# Gantry system

Pre-owned equipment in top condition, made 2014

- Gantry system built of aluminium profiles
- Linear guides for X-, Y- und Z-movement
- Drive: 3 servo motors with toothed belt
- 4 vacuum-suction units with 4 vacuum grippers each
- Without control

## Technical data

- External dimensions (L\*B\*H): 4.300 x 3.850 x 3.300 mm
- Traverse path (X\*Y\*Z): 3.400 x 2.700x 800 mm
- Speed (X & Y): max. 1,5 m/s & max. 1m/s
- Net load without gripper: 80 kg



Schmidt & Heinzmann GmbH & Co. KG  
COMPOSITE EQUIPMENT & MACHINERY

Vichystraße 12 • 76646 Bruchsal • Germany  
Tel. +49 72 51/38 58-0 • Fax +49 72 51/38 58-25  
E-Mail: [sales@schmidt-heinzmann.de](mailto:sales@schmidt-heinzmann.de)  
[www.schmidt-heinzmann.de](http://www.schmidt-heinzmann.de)