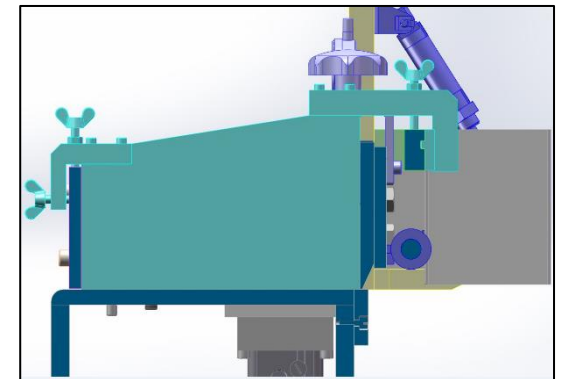
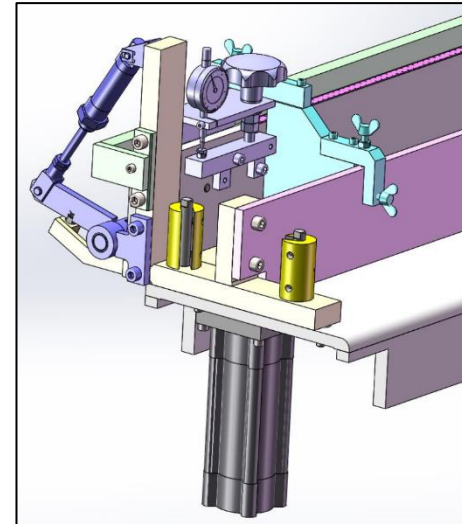


## High Precision Doctor Boxes S&H Demo Machine

- 1 Set with 2 pcs of doctor boxes with manual gap adjustment
- Gap Adjustment through precision spindles with  $s = 0,02 \text{ mm}$
- Working width 1.600 mm
- 12 months full warranty



Schmidt & Heinzmann GmbH & Co. KG  
COMPOSITE EQUIPMENT & MACHINERY

Vichystraße 12 • 76646 Bruchsal • Germany  
Tel. +49 7251/38 58-0 • Fax +49 7251/38 58-25  
E-Mail: [sales@schmidt-heinzmann.de](mailto:sales@schmidt-heinzmann.de)  
[www.schmidt-heinzmann.de](http://www.schmidt-heinzmann.de)